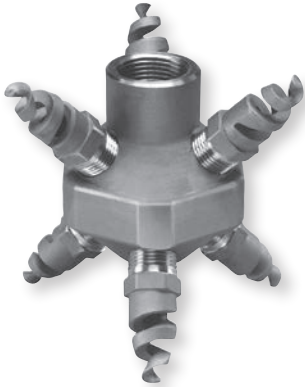




Stationary

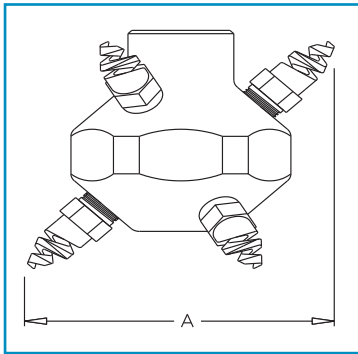


DESIGN FEATURES

- Each nozzle in the stationary manifold is a BETE clog-resistant spiral nozzle of the TF Series
- Can be supplied with various other BETE nozzles for any desired application
- Female connection

SPRAY CHARACTERISTICS

- Spherical omnidirectional coverage
 - Six nozzles arranged in cluster to project spray in all directions
- Spray Angles:** 360°
Flow Rates: 4.2 to 157 GPM



DIMENSIONS IN INCHES

Pipe Size	Overall Diameter A	Weight	
		Metal (lbs)	Plastic (oz)
3/4"	4.50	2.3	6
1"	5.25	4.1	11

LEM FLOW RATES

Materials: Brass, 316 Stainless Steel

Female Connection Type	Nozzle Number	Spray Angles	K Factor	Flow Rate (GPM) @ Differential Pressure (psi)						Scrubbing Dia ft	Rinsing Dia ft	
				10	20	30	40	60	80			100
				psi	psi	psi	psi	psi	psi			psi
3/4" FNPT/BSP	LEM-6	360°	1.33	4.20	5.94	7.27	8.40	10.3	11.9	13.3	2	3
	LEM-8		2.53	8.00	11.3	13.9	16.0	19.6	22.6	25.3	3	6
	LEM-10		3.95	12.5	17.7	21.7	25.0	30.6	35.4	39.5	5	9
1" FNPT/BSP	LEM-12	360°	5.69	18.0	25.5	31.2	36.0	44.1	50.9	56.9	6	13
	LEM-14		7.68	24.3	34.4	42.1	48.6	59.5	68.7	76.8	7	13
	LEM-16		10.0	31.5	44.5	54.6	63.0	77.2	89.1	99.6	7	14
	LEM-20		15.7	49.5	70.0	85.7	99.0	121	140	157	8	16

Flow Rate (GPM) = $K\sqrt{\text{PSI}}$

Spray angle performance varies with pressure. Contact BETE for specific data on critical applications.

For special flow rates and nozzle tips contact BETE.